

■ **LVDS VCXO 6PAD 3.2x2.5**

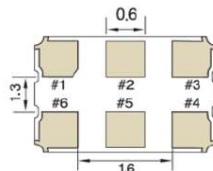
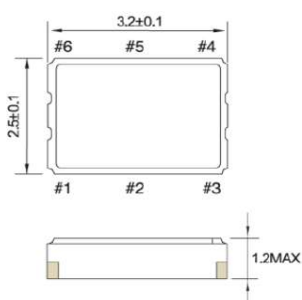
- Miniature Ceramic Surface Mount package
- Wide pulling range and Low phase noise
- Fundamental crystal design

● Applications : Telecommunications, Network equipment

■ **Standard Specification**

Frequency range	10MHz to 250MHz	
Supply voltage	3.3V	
Pin1 Control Voltage	1.65V±1.35V	
Frequency Pull Range	±50ppm Min or please specify	
Linearity	10% Max	
Frequency slope	Positive	
Current consumption	35mA Max or please specify	
Frequency Stability	±25ppm, ±50ppm, ±100ppm	
Operating Temperature Range	-20 to 70°C, -40 to 85°C	
Storage Temperature Range	-55 to 125°C	
Output load condition	100Ω (OUT - OUTN)	
Symmetry (Duty)	50% ±10%	
Output rise and fall time ( Tr /Tf )	0.7ns Max	
Output high level	1.43V Typ ~ 1.60V Max	
Output low level	0.90V Min ~ 1.10V Typ	
Differential output voltage	0.247V ~ 0.454V, 0.350V Typ	
Offset Voltage	1.125 ~ 1.375V, 1.250V Typ	
Pin 2	Enable input voltage	70% Vdd Min or N.C
Function	Disable input voltage	30% Vdd Max
Oscillation start up time	5ms Max	
Aging (Initial first year)	± 3ppm Max	
Phase jitter (12KHz ~ 20MHz)	89 fs typ at 122.88MHz (3.3V)	

■ **Dimensions (mm)**



**CONNECTION**

- #1 V.C
- #2 Tri-State
- #3 GND
- #4 OUTPUT
- #5 COMP-OUTPUT
- #6 Vdd

• **Recommended Soldering Pattern**

