

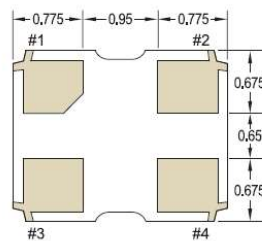
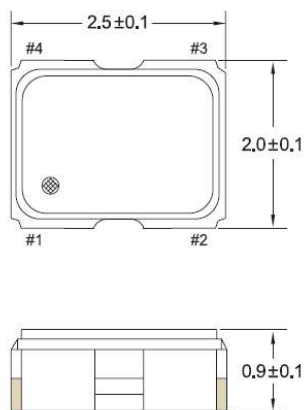
■ HCMOS VCXO 4PAD 2.5x2.0

- Ultra Miniature Ceramic Surface Mount package
 - Wide pulling range and Low phase noise
 - Fundamental crystal design
- Applications : Telecommunications, Network equipment

■ Standard Specification

Frequency range	4MHz to 54MHz	4MHz to 54MHz	1MHz to 80MHz
Supply voltage	1.8V	2.5V	3.3V
Pin1 Control Voltage	0.9V±0.6V	1.25V±1.05V	1.65V±1.35V
Frequency Pull Range	±50ppm Min or please specify		
Linearity	10% Max		
Frequency slope	Positive		
Current consumption	35mA Max or please specify		
Frequency Stability	±25ppm, ±50ppm, ±100ppm		
Operating Temperature Range	-20 to 70°C, -40 to 85°C		
Storage Temperature Range	-55 to 125°C		
Output load condition	CMOS 15pF		
Symmetry (Duty)	50% ±10%		
Output rise and fall time (Tr /Tf)	10ns Max		
Output high level	90% Vdd Min		
Output low level	10% Vdd Max		
Oscillation start up time	5ms Max		
Aging (Initial first year)	± 3ppm Max		
Phase jitter (12KHz ~ 20MHz)	1.0ps RMS Max or please specify		
Period jitter (pk-pk)	25ps Max		
Modulation band width	15KHz Min (at - 3dB)		

■ Dimensions (mm)



- CONNECTION
1. Vcontrol
 2. GND
 3. OUTPUT
 4. Vdd