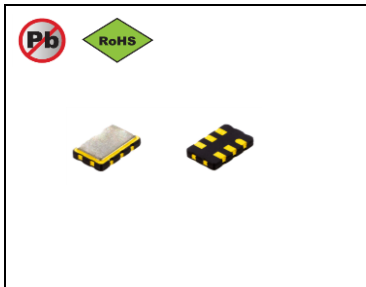


KPO3

CLOCK OSCILLATOR



■ LV-PECL SMD OSC 3.2×2.5mm

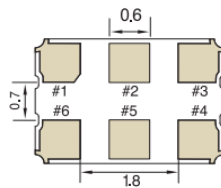
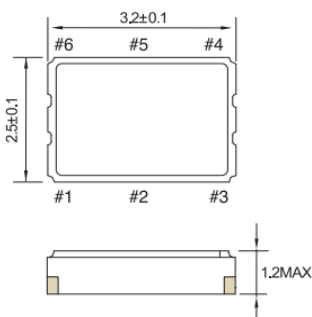
- Miniature Ceramic Surface Mount package
- Fundamental and 3rd overtone crystal design
- Wide temperature and Ultra Low phase noise

- Applications : Telecommunications, Network equipment

■ Standard Specification

| | | | |
|--------------------------------------|---|--------------------|-----------------|
| Frequency range | 13.5MHz to 212.5MHz | | |
| Supply voltage | 2.5V | 3.3V | |
| Current consumption | 70mA Max or please specify | | |
| Frequency Stability | ±20ppm, ±25ppm, ±50ppm | | ±50ppm, ±100ppm |
| Operating Temperature Range | -20 to 70°C | -40 to 85°C | -55 to 125°C |
| Storage Temperature Range | -55 to 125°C | | |
| Output load condition | 50 Ω (connected to Vdd-2.0V) | | |
| Symmetry (Duty) | 50% ±10% or please specify | | |
| Output rise and fall time (Tr /Tf) | 600ps Max (Output level 20% to 80%) or please specify | | |
| Output high level | 1.415V ~ 1.760V | 2.215V ~ 2.420V | |
| Output low level | 0.670V ~ 1.195V | 1.470V ~ 1.745V | |
| Pin 1 | Enable input voltage | 70% Vdd Min or N.C | |
| Function | Disable input voltage | 30% Vdd Max | |
| Oscillation start up time | 5ms Max | | |
| Aging (Initial first year) | ± 3ppm Max | | |
| Phase jitter (12KHz ~ 20MHz) | 45 fs typ at 156.25MHz (3.3V) | | |

■ Dimensions (mm)



CONNECTION

- #1 Tri-State or N.C
- #2 N.C
- #3 GND
- #4 OUTPUT
- #5 Complementary output
- #6 Vdd

• Recommended Soldering Pattern

