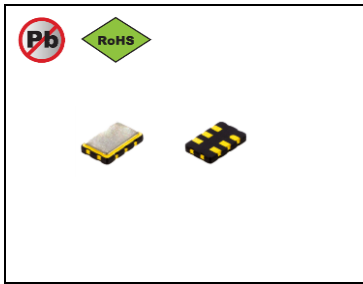


KHO2

CLOCK OSCILLATOR



■ HCSL SMD OSC 2.5×2.0mm

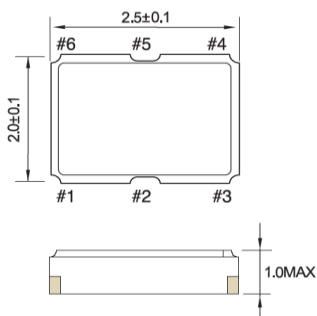
- HCSL(High-speed Current Steering Logic) Output Oscillator
- Fundamental and 3rd overtone crystal design
- Wide temperature and Ultra Low phase noise

- Applications : PCI Express, Network application

■ Standard Specification

Frequency range	13.5MHz to 212.5MHz		
Supply voltage	2.5V	3.3V	
Current consumption	50mA Max or please specify		
Frequency Stability	±20ppm, ±25ppm, ±50ppm		±50ppm, ±100ppm
Operating Temperature Range	-20 to 70°C	-40 to 85°C	-40 to 125°C
Storage Temperature Range	-55 to 125°C		
Output load condition	50 Ω (connected to Vdd-2.0V)		
Symmetry (Duty)	50% ±5%		
Output rise and fall time (Tr /Tf)	500ps Max (Output level 20% to 80%)		
Output Voltage Logic High (VOH)	+550mV to +850mV		
Output Voltage Logic Low (VOL)	-150mV to +150mV		
Pin 1 Function	Enable input voltage	70% Vdd Min or N.C	
	Disable input voltage	30% Vdd Max	
Oscillation start up time	2ms Max		
Aging (Initial first year)	± 3ppm Max		
Phase jitter (12KHz ~ 20MHz)	200 fs typ at 100MHz (3.3V)		

■ Dimensions (mm)



CONNECTION

- #1 Tri-State or N.C
- #2 N.C
- #3 GND
- #4 OUTPUT
- #5 Complementary output
- #6 Vdd

• Recommended Soldering Pattern

