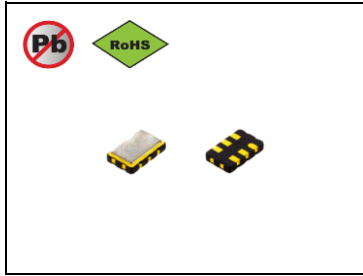


KLO3

CLOCK OSCILLATOR



■ LVDS SMD OSC 3.2×2.5mm

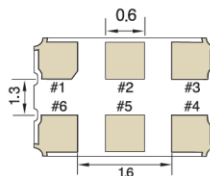
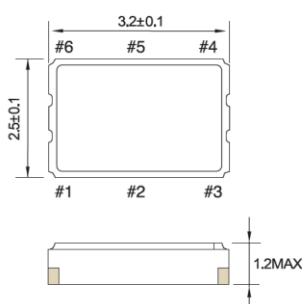
- Miniature Ceramic Surface Mount package
- Fundamental and 3rd overtone crystal design
- Wide temperature and Ultra Low phase noise

- Applications : Telecommunications, Network equipment

■ Standard Specification

Frequency range	20MHz to 220MHz	13.5MHz to 220MHz	
Supply voltage	1.8V	2.5V	3.3V
Current consumption	35mA Max or please specify		
Frequency Stability	±20ppm, ±25ppm, ±50ppm		±50ppm, ±100ppm
Operating Temperature Range	-20 to 70°C	-40 to 85°C	-55 to 125°C
Storage Temperature Range	-55 to 125°C		
Output load condition	100Ω (OUT - OUTN)		
Symmetry (Duty)	50% ±10% or please specify		
Output rise and fall time (Tr /Tf)	600ps Max (Output level 20% to 80%) or please specify		
Output high level	1.43V Typ ~ 1.60V Max		
Output low level	0.90V Min ~ 1.10V Typ		
Differential output voltage	0.247V ~ 0.454V, 0.350V Typ		
Offset Voltage	1.125 ~ 1.375V, 1.250V Typ		
Pin 1	Enable input voltage	70% Vdd Min or N.C	
Function	Disable input voltage	30% Vdd Max	
Oscillation start up time	5ms Max		
Aging (Initial first year)	± 3ppm Max		
Phase jitter (12KHz ~ 20MHz)	67 fs typ at 156.25MHz (3.3V)		

■ Dimensions (mm)



CONNECTION

- #1 Tri-State or N.C
- #2 N.C
- #3 GND
- #4 OUTPUT
- #5 Complementary output
- #6 Vdd

• Recommended Soldering Pattern

