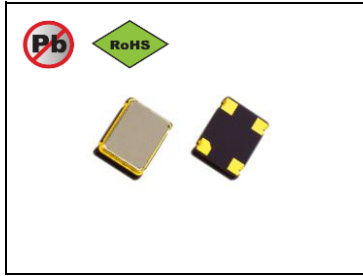


KS07

CLOCK OSCILLATOR



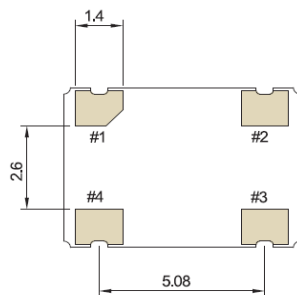
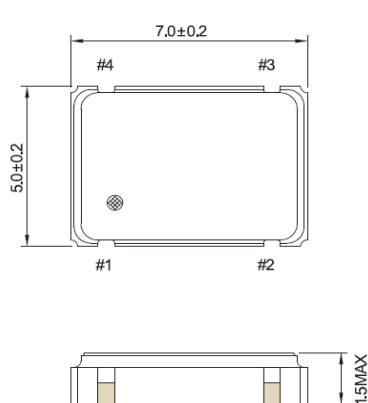
■ Spread Spectrum SMD OSC 7.0×5.0mm

- Miniature Ceramic Surface Mount package
- Advanced programmable PLL and Spread Spectrum design
- 16 modulation magnitudes (± 0.125 to $\pm 2.0\%$ or -0.25 to -4.0%)
- Programmable output drive (4mA, 8mA, 16mA)
- Applications : Consumer electronics, Industrial applications, Telecommunications, Network equipment

■ Standard Specification

Frequency range	10MHz to 160MHz	10MHz to 200MHz
Supply voltage	2.5V	3.3V
Current consumption	20mA Max	25mA Max
Center spread	$\pm 0.25\%$, $\pm 0.5\%$, $\pm 1\%$, $\pm 2\%$	
Down spread	-0.5%, - 1%, - 2%, - 4%	
Frequency Stability	± 25 ppm, ± 50 ppm, ± 100 ppm	
Operating Temperature Range	-20 to 70°C, -40 to 85°C	
Storage Temperature Range	-55 to 125°C	
Output load condition	CMOS 15pF	
Symmetry (Duty)	50% $\pm 10\%$ or please specify	
Output rise and fall time (Tr /Tf)	10ns Max	
Output high level	90% Vdd Min	
Output low level	10% Vdd Max	
Pin 1	Enable input voltage	70% Vdd Min or N.C
Function	Disable input voltage	30% Vdd Max
Oscillation start up time	5ms Max	
Aging (Initial first year)	± 3 ppm Max	
Period jitter (pk-pk)	70ps Max	

■ Dimensions (mm)



CONNECTION

- # 1 N.C or EN/DIS(Tri-State)
- # 2 GND
- # 3 OUTPUT
- # 4 Vdd

• Recommended Soldering Pattern

