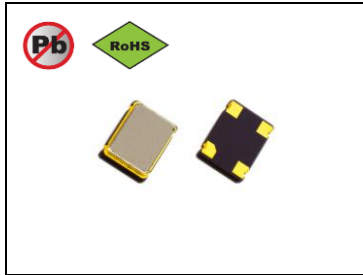


KOS7

CLOCK OSCILLATOR



■ HCMOS SMD OSC 7.0×5.0mm

- Miniature Ceramic Surface Mount package
- Fundamental and 3rd overtone crystal design
- Wide temperature and Low phase noise
- AEC-Q100 available
- Applications : Consumer electronics, Industrial applications, Telecommunications, Network equipment

■ Standard Specification

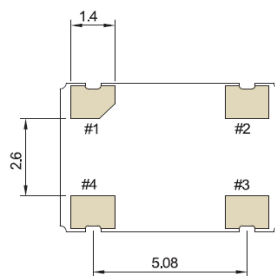
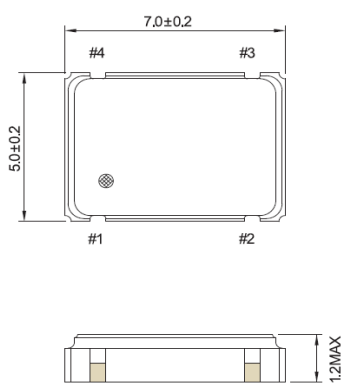
Frequency range	32.768kHz, 0.250MHz to 312.500MHz		
Supply voltage	1.8V, 2.5V, 3.3V, 5.0V (0.8 to 1.5V Option)		
Frequency Stability	±20ppm, ±25ppm, ±50ppm	±50ppm, ±100ppm	
Operating Temperature Range	-20 to 70°C	-40 to 85°C	-55 to 125°C
Storage Temperature Range	-55 to 125°C		
Output load condition	CMOS 15pF		
Symmetry (Duty)	50% ±10% or please specify		
Output rise and fall time (Tr /Tf)	10ns Max (except 32.768kHz) or please specify		
Output high level	90% Vdd Min		
Output low level	10% Vdd Max		
Pin 1	Enable input voltage	70% Vdd Min or N.C	
Function	Disable input voltage	30% Vdd Max	
Oscillation start up time	5ms Max		
Aging (Initial first year)	± 3ppm Max		
Phase jitter (12KHz ~ 20MHz)	1.0ps RMS Max or please specify		
Period jitter (pk-pk)	25ps Max		

■ Current consumption (mA Max)

Vdd vs Frequency	≤ 25M	≤ 40M	≤ 60M	≤ 125M
1.8V	4	6	10	25
2.5V	6	8	12	30
3.3V	10	15	20	40
5.0V	15	20	30	50

*Please contact us for lower Current

■ Dimensions (mm)



CONNECTION
 #1 N.C or EN/DIS(Tri-State)
 #2 GND
 #3 OUTPUT
 #4 Vdd

• Recommended Soldering Pattern

