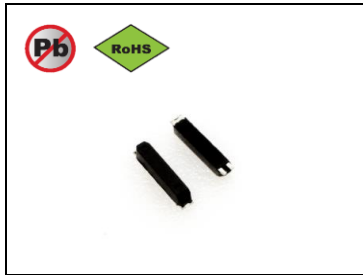


KS146

32.768kHz Crystal



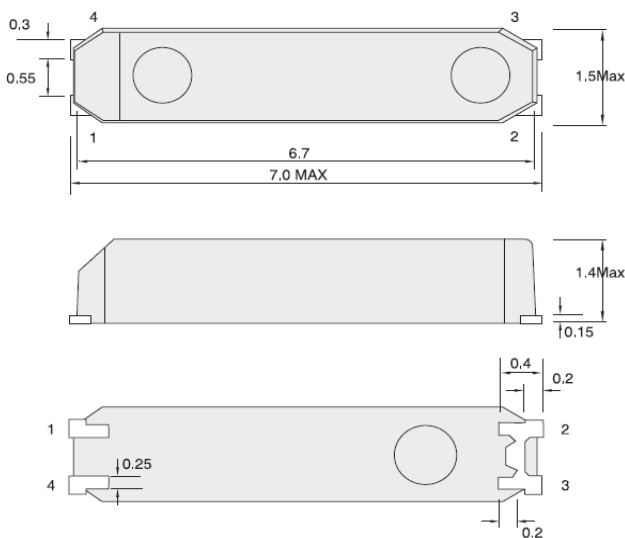
■ TUNING FORK SMD TYPE 7.0x1.5mm

- Plastic Surface Mount package
- 32.768kHz Frequency Reference
- Frequency Tolerance ± 20 ppm standard
- Tape & Reel packaging
- Applications : Industrial applications, Mobile Communications, Wireless applications

■ Standard Specification

| | |
|---------------------------------|--|
| Nominal Frequency | 32.768KHz |
| Motional resistance (ESR) | 65k Ω Max |
| Load capacitance (CL) | 7pF, 9pF, 12.5pF or please specify |
| Frequency tolerance (25°C) | ± 20 ppm (std) or please specify |
| Turnover Temperature | 25°C \pm 5°C |
| Temperature coefficient | -0.035ppm/ $^{\circ}$ C ² Typ |
| Operating temperature range | -40°C to +85°C |
| Storage temperature range | -55°C to +125°C |
| Level of drive(DL) | 1.0 μ W Max |
| Shunt Capacitance (C0) | 0.5 to 1.2pF |
| Aging (Initial first year) | ± 3 ppm Max |
| Insulation Resistance (DC 100V) | 500M Ω Min |

■ Dimensions (mm)



• Recommended Soldering Pattern

